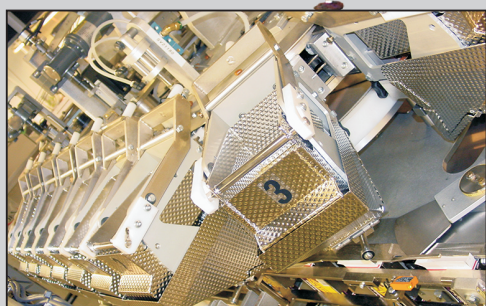




Z Automation Company, Inc.

VERTICAL CARTONER

Model CV7.5-200C



Product Track With Streaming Buckets
And Product Transfer Funnels

- Fully Automated Servo Driven Machine
- Large Range of Carton Sizes
- Recipe Driven Auto Adjustment
- Fastest Changeover In Industry



CPM (200 Cartons Per Minute)

MANUFACTURERS OF PACKAGING
AND AUTOMATED EQUIPMENT

www.zautomation.com





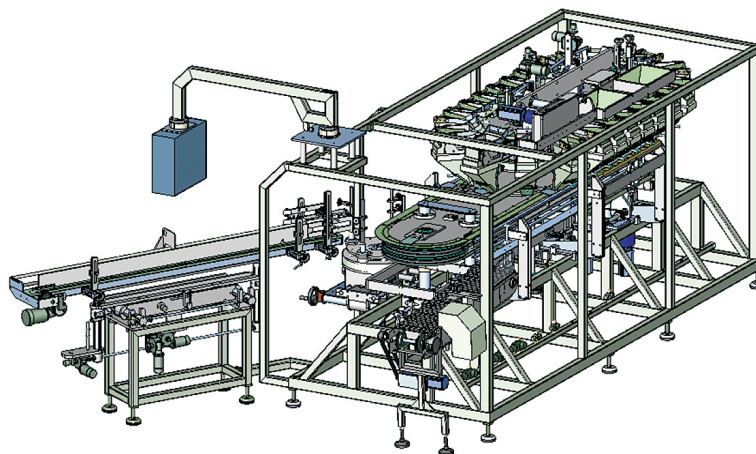
Z Automation Company, Inc.



VERTICAL CARTONER

CV7.5-200C SPECIFICATIONS

Rated Speed	200 Cartons Per Minute
Machine Pitch	7.5"
Machine Length (cartoner only)	12.5 ft
Machine Width	5.2 ft
Aprox. Machine Weight	6,000 lbs
Carton Magazine	8 ft
Carton Pick-Off Vacuum	PIAB 50
Min -Max. Carton Length	2.5 - 4.5"
Min -Max. Carton Width	.625 - 1"
Min-Max. Carton Depth	5.25 - 7"
Carton Placing System	4 Spindle, Rotary
Lubrication	Central Automated
Product Loading / Feed	Continuous With Scale
Date Coder	Markem Inkjet Printer
Servo Drives	Kinetix 6000
Settings	Scales, Position Indicator or Automatic
Air Supply	80 -120 PSI @ 18 CFM
PLC Controller	Allen Bradley ControlLogix
Operator interface	Panel View 1000 Color Touch Screen



Machine 3D model

